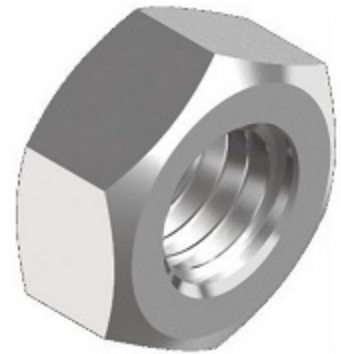
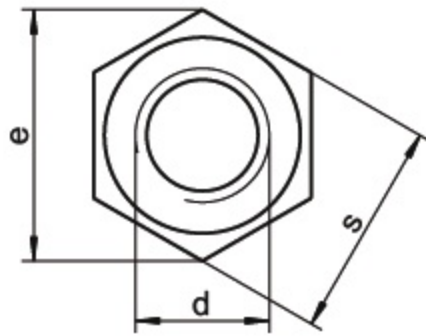


sim. DIN 934 - **ISO 4032**  
Hexagon nuts



d	m min.	s	e	⬠
M10	8,04	16	17,77	16
M12	10,37	18	20,03	18
M16	14,10	24	26,75	24

Grade	SU
▲ ●	100
▲ ●	100
▲ ●	50

■ A1 / ▲ A2 / ● A4 | SU: Sales unit | All measurements in mm | Other dimensions on request.